

Shenzhen Comfort Plastic Electronics Co.,Ltd

Specialized in Ice Bucket Manufacturing for 15 Years

▷ COMPANY

Founded in 2004, Shenzhen Comfort Plastic Electronics Co., Ltd is the first company in China to produce promotional items for ice bucket wine merchants.

The company's main products: ice bucket, led ice bucket, Bluetooth speaker ice bucket, led menu, tray, led bottle glorifier, bar mat, dice cup, led table tent, cocktail shaker and other alcohol promotional products.

Company strength: Our workshop has two standard 50-person production lines, with a variety of machinery and equipment including UV engraving machine, infrared engraving machine, carbon dioxide engraving machine, acrylic cutting machine, heat transfer machine, roller printing machine, CNC, Milling machine etc., fully satisfying customers with various OEM requirements. At the same time, our factory has an engineering team of 10 people who are with mold design, product development and design capabilities to meet customer's ODM needs.

Comfort have cooperated with many well-known brands wine merchant groups, gift merchants, advertising companies and other companies throughout around the world. The world's top wine merchant groups we have served are: Diageo, Pernod-Ricard, Bacardi, Asahi, KIRIN, AB-Inbev, BROWN-FORMAN, HEINEKEN, Beam-Suntory, MOLSON COORS, Carlsberg.

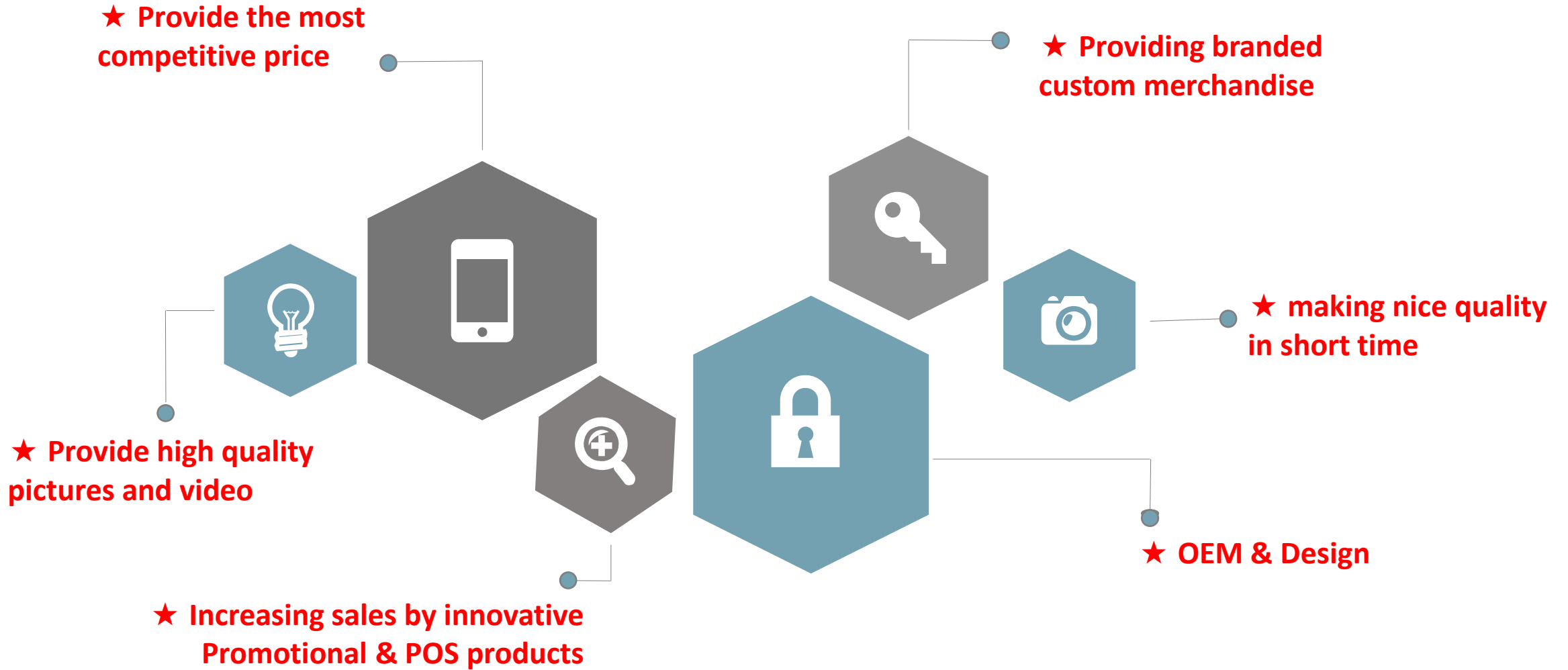


PRODUCT CATALOG

ENTERPRISE HONOR



•What can we do for our customers



Why can we help you ?

★ We have **BSCI and ISO9001**. And we insist on product self-inspection

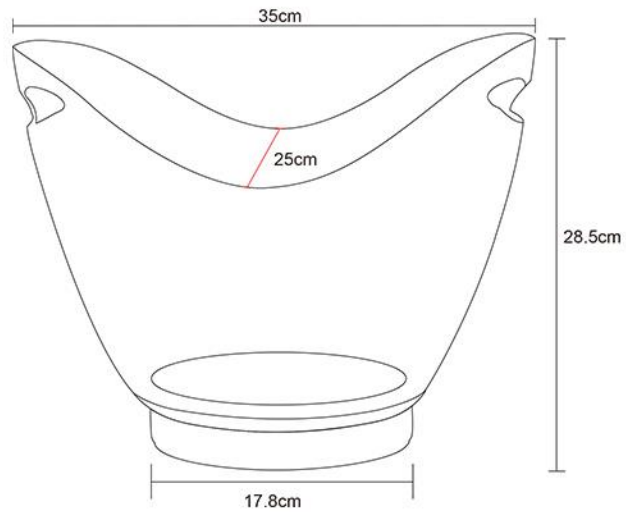
★ We worked with many famous brands (Johnnie Walker/Chivas/Grey Goose/SKYY /and more



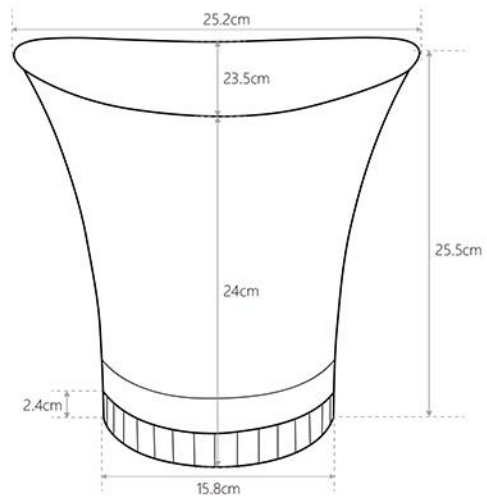
★ We are one of the most professional barware products manufacturers in China for **15 years**.

★ We have many many machines
10+ products patents
/ 10+ owned tooling / 3+ laser engraving machines (UV engraving machine + infrared engraving machine + carbon dioxide engraving machine) / 3+ printing machines (silk print machine + heat transfer print machine + pad printing + roller printing machine) / acrylic cutting machine

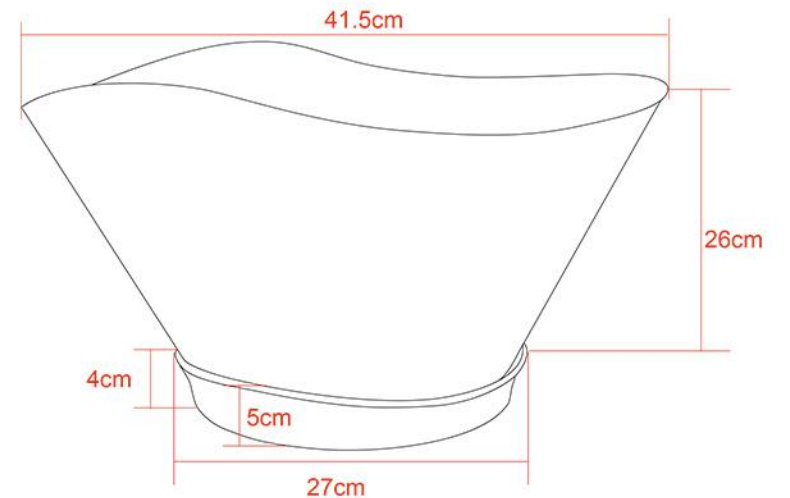
PRODUCT PLAN



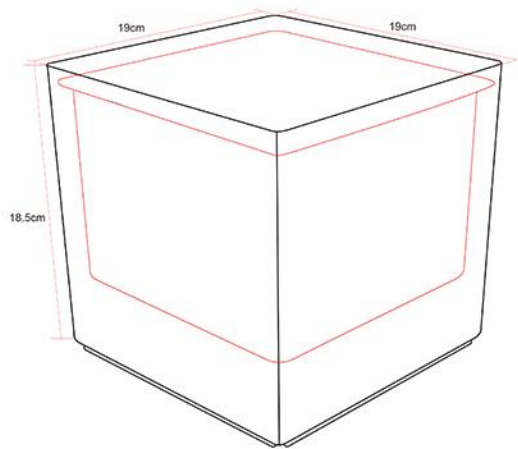
CF-314BF



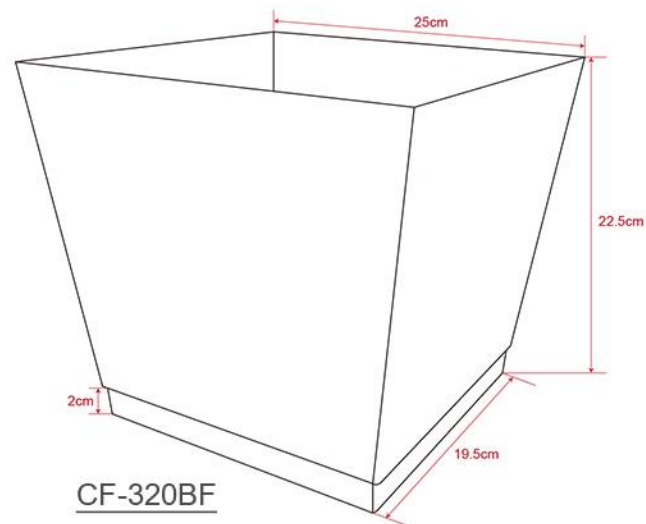
CF-328BF



CF-329BF



CF-305BF



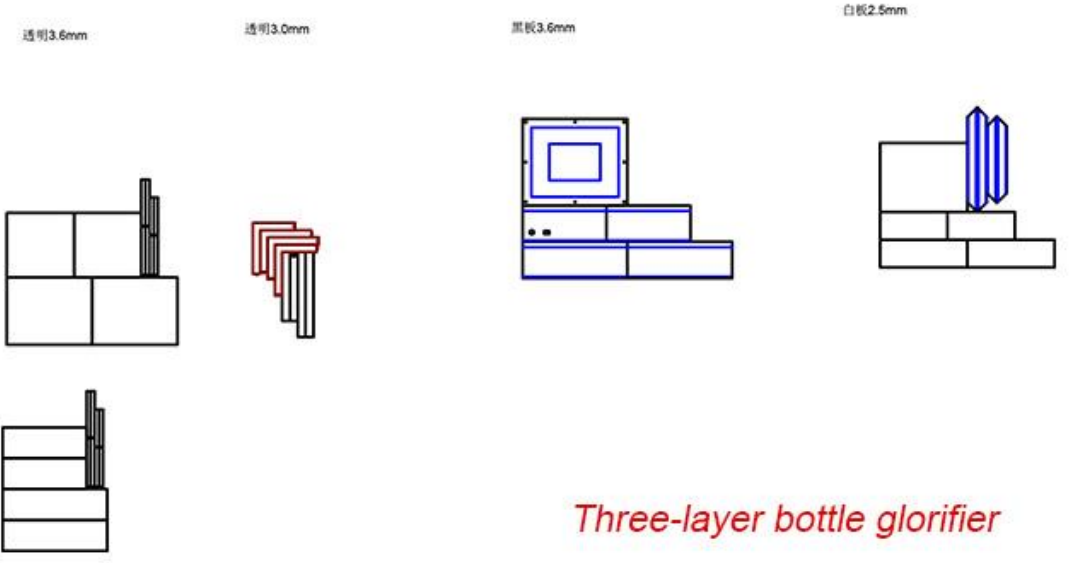
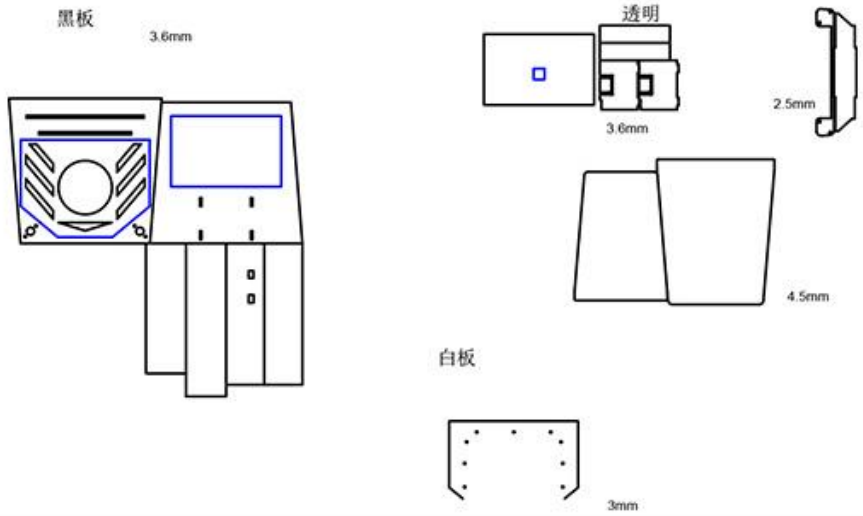
CF-320BF



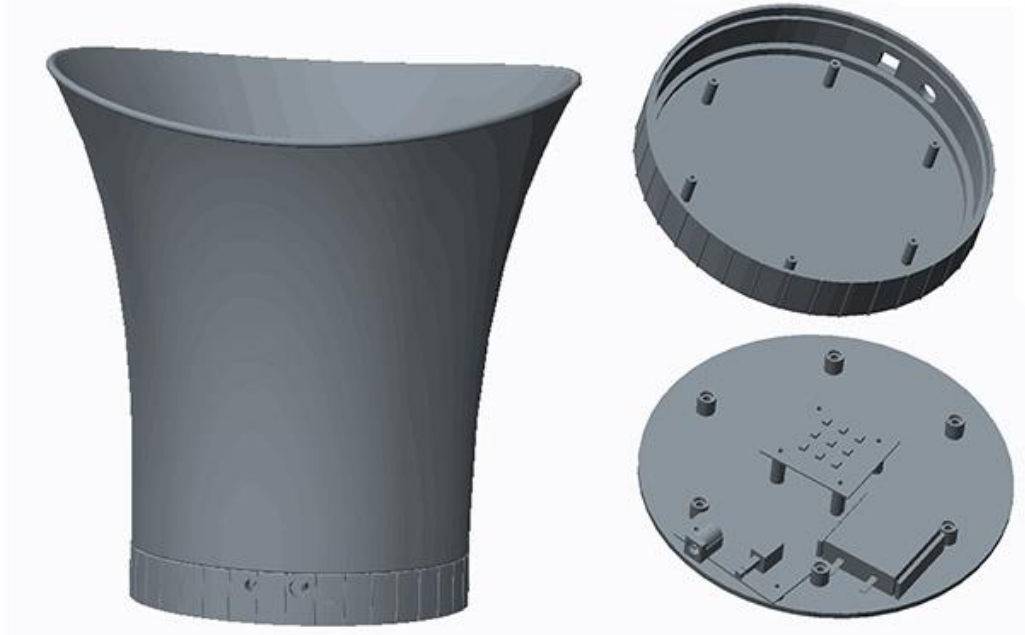
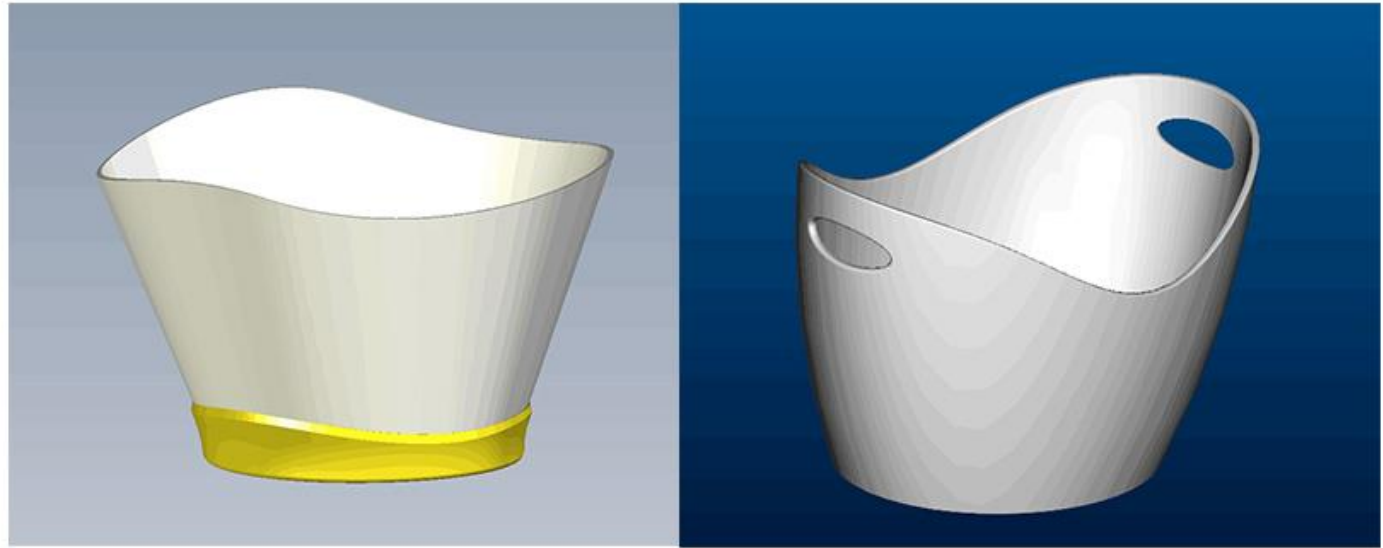
CF-340BF

New style bottle glorifier

Mock-up

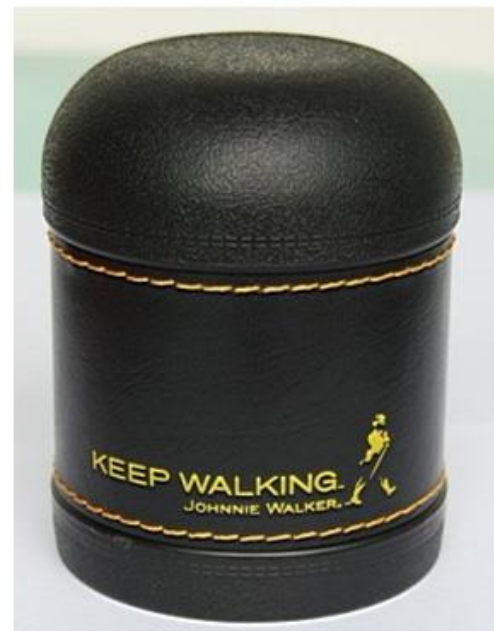


Three-layer bottle glorifier



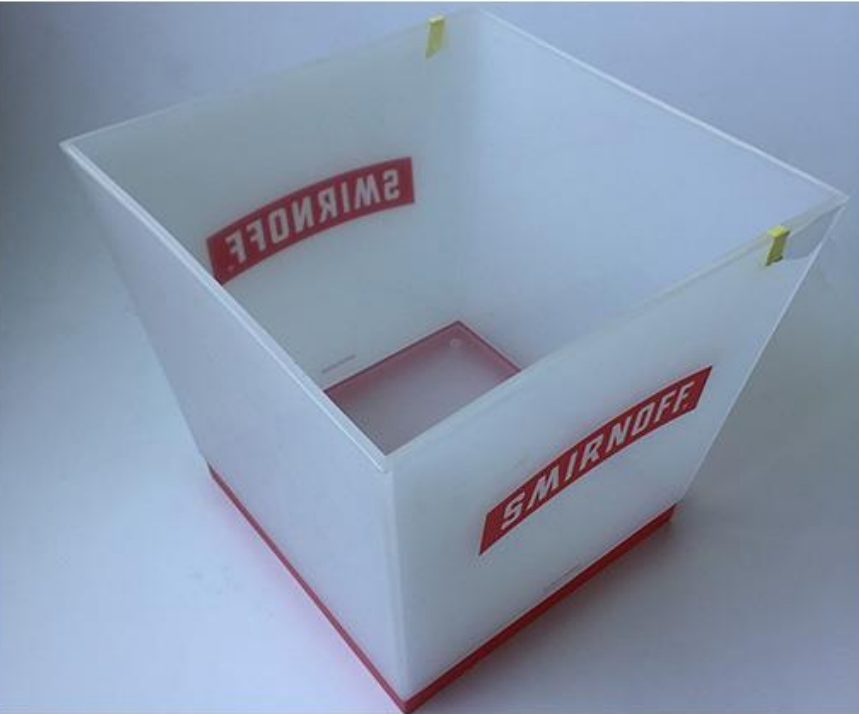
CUSTOMER CASE





JOHNNIE WALKER®

Ice bucket Dice cup







 **CHIVAS**



Client case video presentation



JACK DANIELS



BELVEDERE VODKA



Manufacturer

Equipments:

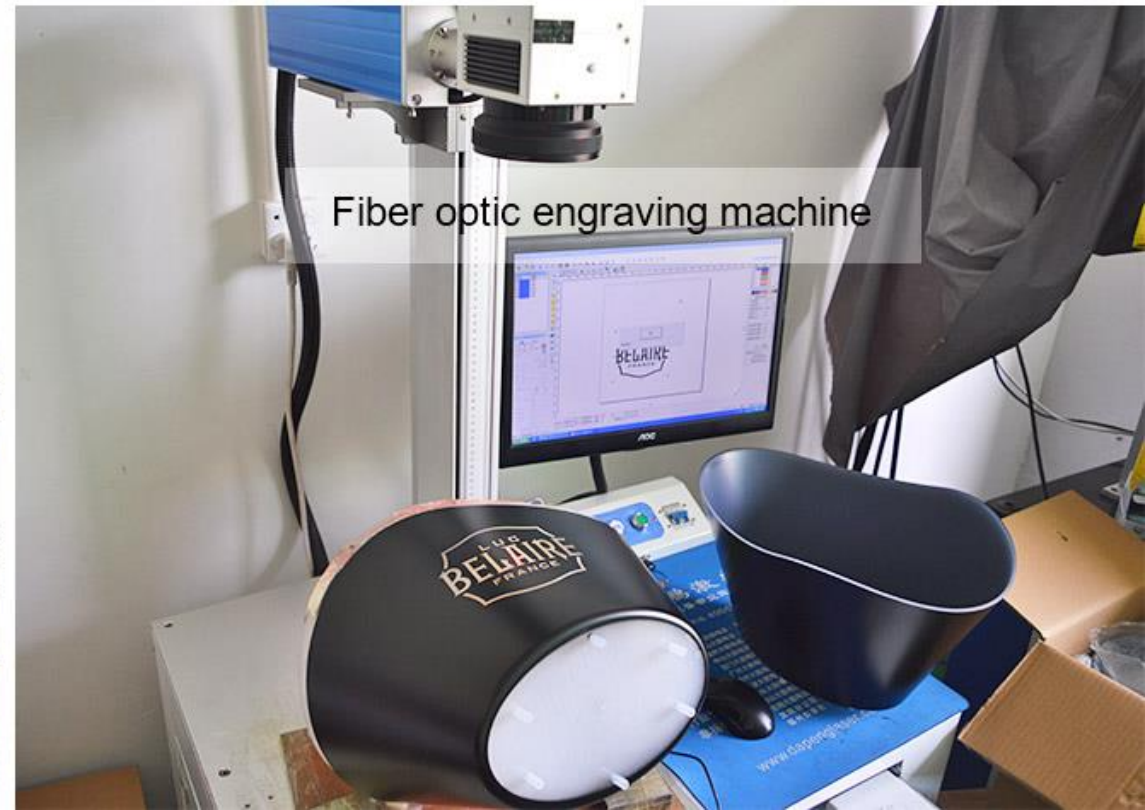
*Carbon dioxide laser engraving machine,
UV light laser engraving machine,
fiber optic engraving machine,
Laser cutting machine,
Heat transfer print machine...*



UV light laser engraving machine



Laser cutting machine



Fiber optic engraving machine

Factory

Manufacturer Equipments:

*Carbon dioxide laser engraving machine,
UV light laser engraving machine,
fiber optic engraving machine,
Laser cutting machine,
Heat transfer print machine...*



Milling machine



CNC cutting machine



Mould injection molding machine



Heat transfer print machine



Carbon dioxide laser engraving machine,

Video display of equipment machine



Workshop

WORKSHOP PRODUCTION LINE





BULK PRODUCT



检验报告/INSPECTION REPORTA

客户名称 Custom Name	菲律宾	产品名称 Product Name	塑料发光冰桶 Plastic LED ice bucket	产品型号 Item No.	CF-305F
订单编号 P.O.No.	CF-2017110288L GW	数量/箱数 Quantity/Cartons	6492PCS/541	检验日期 Inspect Date	2018-1-3

检验总结论 Inspection overall result: 符合 Passed 不符合 Failed

一、检验概括(Inspection included):

1.外观/功能 Appearance/Function	<input checked="" type="checkbox"/> 符合 Passed	<input type="checkbox"/> 不符合 Failed
2.LOGO 印刷 Logo printing	<input checked="" type="checkbox"/> 符合 Passed	<input type="checkbox"/> 不符合 Failed
3.包装/箱唛 Packing/Shipping Marks	<input checked="" type="checkbox"/> 符合 Passed	<input type="checkbox"/> 不符合 Failed

采用的检验方法 Inspection standard applied:

标准的抽样计划: MTD-105E 单次抽样 II 级标准 Standard sampling plan: MTD-105E single sampling II level

可接受的质量水平(AQL): 致命缺点 Critical: _____ 严重缺点 Major: _____ 轻微缺点 Minor: 14 pcs

抽样数量 Sampling quantity: 6492 pcs (从包装箱里取 from packing cartons)

从需要检验的产品中挑选了 200 pcs picked out from inspected cartons

二、外观/功能 Appearance/Function:

详细名称 Defects Description	致命缺点 Critical	严重缺点 Major	轻微缺点 Minor
尺寸规格是否符合要求 Dimension check	/	/	/
产品变形、毛边、刮伤 distortion/rough edge/strain	/	/	8
产品是否有色差 Product color deviation	/	/	/
杂点、开裂、缺口 Black spots、glue、Broken	/	/	2
LOGO 印刷位置偏移 Logo off printing	/	/	2



INSPECTION REPORT



CUSTOMER PHOTO



EXHIBITION PHOTOS

